

DATA SHEET

Sirman Raviomatic Independent Motorized Ravioli Maker

40111582



Build

- Electric stand alone ravioli maker produces single-layer extruded ravioli, ensuring consistent quality and efficiency.
- Works independently with puff pastry produced by any machine, with the puff needing to be 135 mm wide and rolled on a loading roller.
- Equipped with a variable-speed independent motor, it adapts to any type of machine, providing high performance and flexibility.
- It's practical, flexible, and fast, offering versatility and speed to enhance productivity in various culinary settings.
- Moulds of different shapes and sizes, allowing for the creation of diverse ravioli designs.
- Each component in contact with the pasta can be easily dismantled for efficient and rapid cleaning, ensuring convenience and hygiene.
- The practical system for adjusting the amount of filling allows for customization based on recipe requirements.



Technical specifications

External Size

External Width	528mm
External Depth	346mm
External Height	561mm

Weight

Net weight	
package weight	

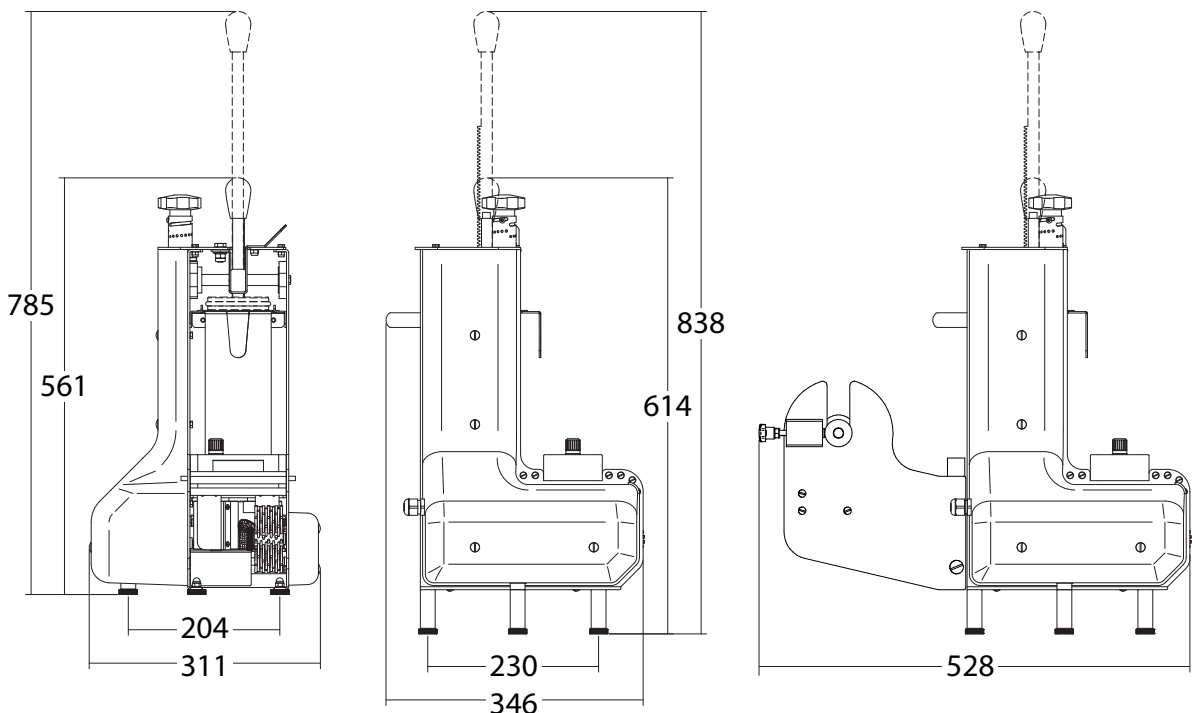
Connection requirements electric

Electrical connected loads	100W
Voltage	240 1N/50Hz
Plug Supplied	Yes

Warranty

2 Year Warranty	2 years parts and labour
------------------------	--------------------------

**Subject to a preventative maintenance plan*



DATA SHEET

Sirman Raviomatic Independent Motorized Ravioli Maker

40111582



Optional accessories

<input type="checkbox"/>	S/steel support cylinder SKU 40111570	<input type="checkbox"/>	5. Schlutzkrapfen mezzaluna piccolo liscio SKU LF20250136E	<input type="checkbox"/>	8. Quadrato seghettato 37 x 37 mm SKU LF20250137I
<input type="checkbox"/>	Kit imbuto diam. foro 8 mm RAVIOMATIC SKU LF02300025	<input type="checkbox"/>	6. Triangolare 70 x 40 mm SKU LF20250136G	<input type="checkbox"/>	A. ST. RAVIOLI RETTANG. IRR. PICC. SEGHETT SKU 40111600A
<input type="checkbox"/>	Kit imbuto diam. foro 12 mm RAVIOMATIC SKU LF02300030	<input type="checkbox"/>	7. Schlutzkrapfen mezzaluna grande liscio SKU LF20250136H	<input type="checkbox"/>	B. ST. RAVIOLI MEZZALUNA PICC. SEGHETT 16mm SKU 40111600C
<input type="checkbox"/>	i. Large ravioli 0.8 mm SKU LF202505330	<input type="checkbox"/>	8. Quadrato seghettato 37 x 37 mm SKU LF20250136I	<input type="checkbox"/>	C. ST. RAVIOLI MEZZALUNA GRAN. SEGHETT SKU 40111600D
<input type="checkbox"/>	ii. Large ravioli 1 mm SKU LF202505331	<input type="checkbox"/>	1. Rettangolare piccolo seghettato 50x42mm SKU LF20250137A	<input type="checkbox"/>	D. ST. RAVIOLI MEZZALUNA PICC. LISCIO SKU 40111600E
<input type="checkbox"/>	iii. Small ravioli 0.8 mm SKU LF202505333	<input type="checkbox"/>	2. Rettangolare grande seghettato 70x50 mm SKU LF20250137B	<input type="checkbox"/>	E. ST. RAVIOLI TRIANGOLARE SKU 40111600G
<input type="checkbox"/>	iv. small ravioli 1 mm SKU LF202505334	<input type="checkbox"/>	3. Mezzaluna piccolo seghettato 50 x 31 mm SKU LF20250137C	<input type="checkbox"/>	F. ST. RAVIOLI MEZZALUNA GRANDE LISCIO SKU 40111600H
<input type="checkbox"/>	Device for interchangeable moulds SKU LF02300110100	<input type="checkbox"/>	4. Mezzaluna grande seghettato 72 x 49 mm SKU LF20250137D	<input type="checkbox"/>	G. ST. RAVIOLI QUADRATO C/CAPPE 37x37 SKU 40111600I
<input type="checkbox"/>	1. Rettangolare piccolo seghettato 50x42 mm SKU LF20250136A	<input type="checkbox"/>	5. Schlutzkrapfen mezzaluna piccolo liscio SKU LF20250137E		
<input type="checkbox"/>	2. Rettangolare grande seghettato 70x50 mm SKU LF20250136B	<input type="checkbox"/>	6. Triangolare 70 x 40 mm SKU LF20250137G		
<input type="checkbox"/>	3. Mezzaluna piccolo seghettato 50 x 31 mm SKU LF20250136C	<input type="checkbox"/>	7. Schlutzkrapfen mezzaluna grande liscio SKU LF20250137H		
<input type="checkbox"/>	4. Mezzaluna grande seghettato 72 x 49 mm SKU LF20250136D				

Connection Kits

<input type="checkbox"/>	Connection kit orchestra 10 SKU LF202505338	<input type="checkbox"/>	Connection kit Concerto 5 SKU LF202505340
--------------------------	--	--------------------------	--

We reserve the right to alter specifications without notice.



1800 183 818

support@thegoodlady.com.au

www.thegoodlady.com.au