

# DATA SHEET

## Sirman Orchestra 10 Freestanding Pasta Machine - 21 Litre Capacity | 9.8 kg Batch

40117003-1



### Build

- Freestanding design allows for high-volume fresh pasta production, ideal for establishments seeking significant output.
- The Orchestra 10 is constructed entirely from AISI 304 stainless steel, featuring a self-supporting structure on four lockable heavy duty wheels for enhanced stability and effortless mobility.
- Extensive range of interchangeable dies enables chefs to create various pasta shapes and sizes maximising menu versatility.
- Independent controls for mixing the pasta dough and extrusion ensure precise kneading and optimal output, resulting in consistently high-quality pasta.
- 21-liter tank capacity accommodates batch sizes of up to 9.8 kg.
- Produces approximately 20 kg of fresh pasta per hour.
- Equipped with a Ø 110 mm die size for efficient operation tailored to medium to large establishments.
- IP67-rated stainless steel waterproof controls ensure dependable operations and longevity.
- Powerful 3-Phase Air-cooled motor paired with an oil bath gearbox reducer minimizes overheating and ensures reliable performance during extended operation.
- Heavy Gauge Kneading paddle with Interlocked design for Easy-to-remove allowing for effortless cleaning and maintenance.
- Kneading paddle designed with multiple arms for gentle mixing to achieve the perfect texture prior to extrusion.
- Removable funnel for seamless addition of liquid ingredients.
- Heavy Duty Stainless steel worm, head, and ring contribute to the machine's longevity and reliability.
- Interlocked stainless-steel lid with a safety microswitch enhances operational safety.
- Heavy-gauge, reinforced anodized aluminum tank, ensuring robustness and facilitating easy maintenance.
- The high extrusion height is specifically designed to create space underneath for optional extras like pasta tray storage and dryers, transforming it into a complete pasta station.



### Technical specifications

#### External Size

External Width	780mm
External Depth	812mm
External Height	1390mm

#### Weight

Net weight	118 kg
package weight	*

#### Connection requirements electric

Electrical connected loads	2.25kW
Voltage	415 V
Plug Supplied	No

#### Technical Fixtures

Litre Capacity	21L
Production Capacity	20kg/hr
Batch Quantity	9.8kg
Die Size	110mm

#### Warranty

2 Year Warranty	2 years parts and labour
-----------------	--------------------------

*\*Subject to a preventative maintenance plan*

# DATA SHEET

Sirman Orchestra 10 Freestanding  
Pasta Machine - 21 Litre Capacity | 9.8 kg Batch

40117003-1



## Optional accessories

<input type="checkbox"/>	Pasta Cutter	
	SKU	40117120

<input type="checkbox"/>	Tray holder	
	SKU	LF202510062

<input type="checkbox"/>	Pasta Dryer Rack	
	SKU	LF202510068

<input type="checkbox"/>	Adjustable Sheeter	
	SKU	28183000

<input type="checkbox"/>	Spaghetti 1.9mm	
	SKU	28183009

<input type="checkbox"/>	Bigoli / Pici Toscani 3mm	
	SKU	28183013

<input type="checkbox"/>	Linguine 3x1.6mm	
	SKU	28183021

<input type="checkbox"/>	Linguine 3.5x1.6mm	
	SKU	28183021A

<input type="checkbox"/>	Spaghetti Quadri / Chitarrine 1.8mm	
	SKU	28183025

<input type="checkbox"/>	Spaghetti Quadri / Chitarrine 2.5mm	
	SKU	28183026

<input type="checkbox"/>	Tagliatelle 6mm	
	SKU	28183034

<input type="checkbox"/>	Pappardelle 15mm	
	SKU	28183038

<input type="checkbox"/>	Reginette 12MM	
	SKU	28183055

<input type="checkbox"/>	Maccheroni Lisci 25mm	
	SKU	28183069

<input type="checkbox"/>	Maccheroni rigati 8mm	
	SKU	28183077

<input type="checkbox"/>	Maccheroni rigati 10mm	
	SKU	28183078

<input type="checkbox"/>	Maccheroni Rig 20mm	
	SKU	28183081

<input type="checkbox"/>	Casarecce/Strozzapreti 8.8mm	
	SKU	28183220

<input type="checkbox"/>	Fusilli 8.4mm	
	SKU	28183240

<input type="checkbox"/>	Fusilli 15.5mm	
	SKU	28183242

<input type="checkbox"/>	Conchiglia Rustica	
	SKU	28183388

<input type="checkbox"/>	Paccheri	
	SKU	28183397

<input type="checkbox"/>	Penne 8.5mm	
	SKU	28183116

<input type="checkbox"/>	Knife	
	SKU	40117112

<input type="checkbox"/>	Maccheroni Rigati 15mm	
	SKU	--

<input type="checkbox"/>	Orecchiette	
	SKU	--

<input type="checkbox"/>	Custom standard Die	
	SKU	--

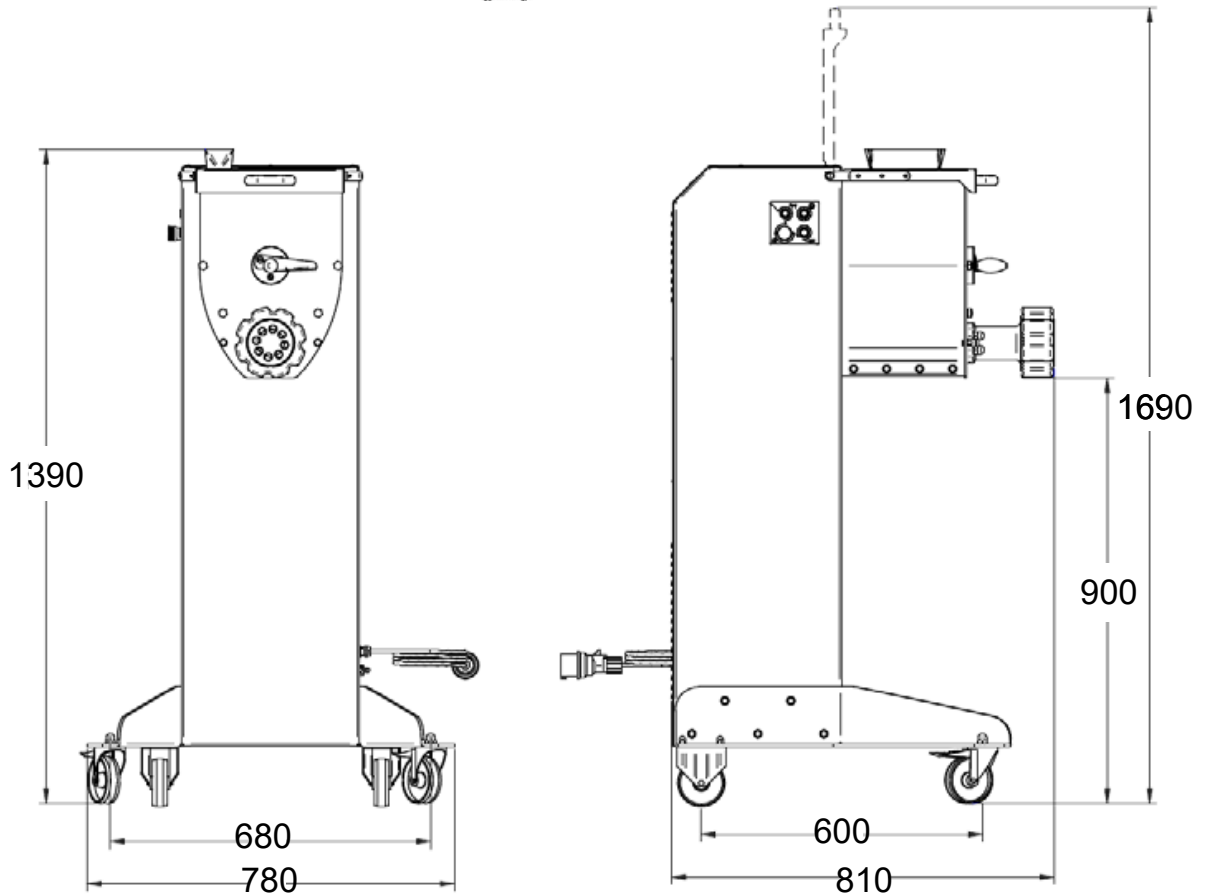
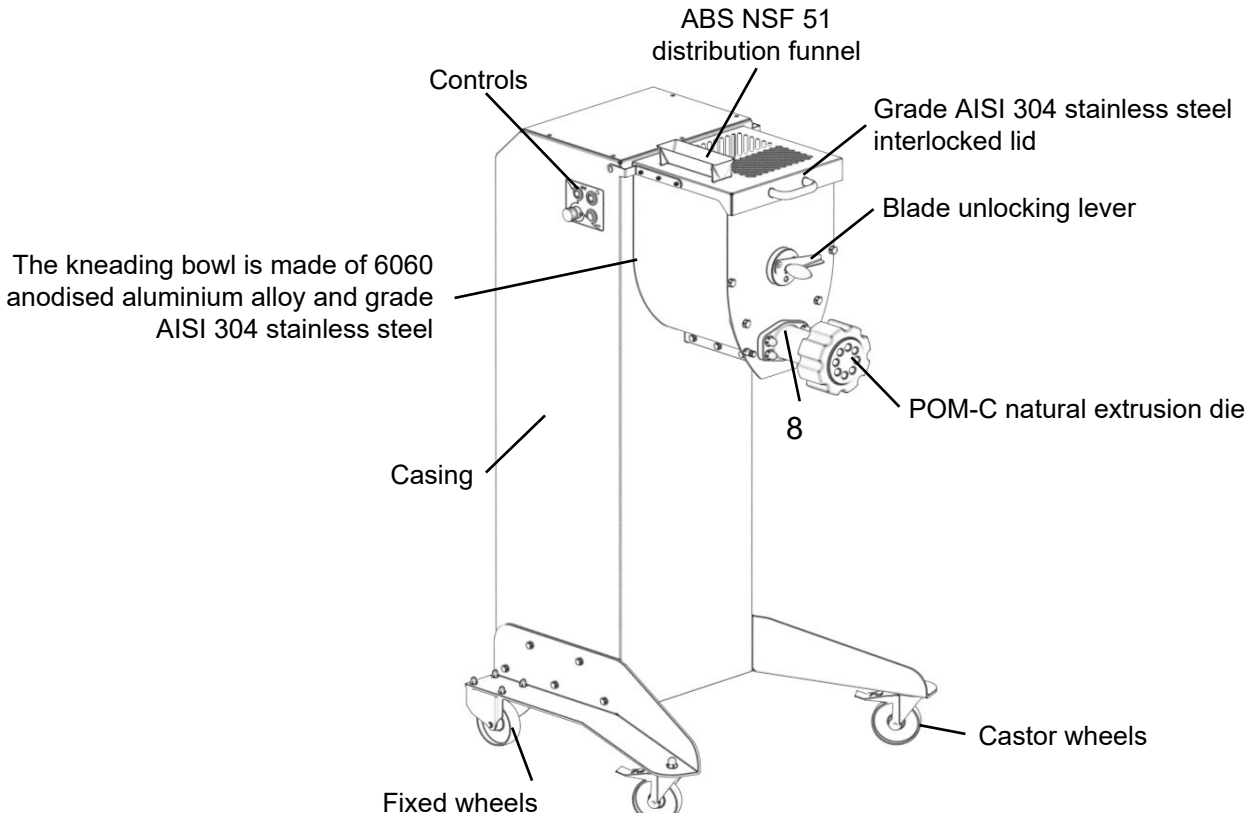
<input type="checkbox"/>	Custom Penne Die	
	SKU	--

We reserve the right to alter specifications without notice.

# DATA SHEET

Sirman Orchestra 10 Freestanding  
Pasta Machine - 21 Litre Capacity | 9.8 kg Batch

40117003-1



We reserve the right to alter specifications without notice.