

DATA SHEET

Sirman Concerto 5 Benchttop Pasta Machine 10 Litre Capacity | 4.2 kg Batch

40115052-1



Build

- Designed to fit on any benchtop, the Concerto 5 pasta machine features the most extensive range of interchangeable dies, allowing you to create a variety of pasta shapes and sizes for maximum menu versatility.

Independent controls for mixing the pasta dough and extrusion ensure precise kneading and optimal output, resulting in consistently high-quality pasta.

10-liter tank capacity accommodates batch sizes of up to 4.2 kg.

- Produces approximately 8.4 kg of fresh pasta per hour.
- Equipped with a \varnothing 75 mm die size for efficient operation tailored to small to medium establishments.

IP67-rated stainless steel waterproof controls ensure dependable operations and longevity.

Powerful Air-cooled motor paired with an oil bath gearbox reducer minimizes overheating and ensures reliable performance during extended operation.

- Heavy Gauge Kneading paddle with Interlocked design for Easy-to-remove allowing for effortless cleaning and maintenance.

Kneading paddle designed with multiple arms for gentle mixing to achieve the perfect texture prior to extrusion.

- Removable funnel for seamless addition of liquid ingredients.

Heavy Duty Stainless steel worm, head, and ring contribute to the machine's longevity and reliability.

- Interlocked stainless-steel lid with a safety microswitch enhances operational safety.

Constructed entirely from AISI 304 stainless steel with a reinforced anodized aluminum tank for robustness and easy maintenance.



Technical specifications

External Size

External Width	305mm
External Depth	660mm
External Height	457mm

Weight

Net weight	42 kg
package weight	*

Connection requirements electric

Electrical connected loads	750W
Voltage	240 V
Plug Supplied	10A

Technical Fixtures

Litre Capacity	10L
Production Capacity	8.4kg/hr
Batch Quantity	4.2kg
Die Size	75mm

Warranty

2 Year Warranty	2 years parts and labour
-----------------	--------------------------

**Subject to a preventative maintenance plan*

DATA SHEET

Sirman Concerto 5 Benchttop Pasta Machine 10 Litre Capacity | 4.2 kg Batch

40115052-1



Optional accessories

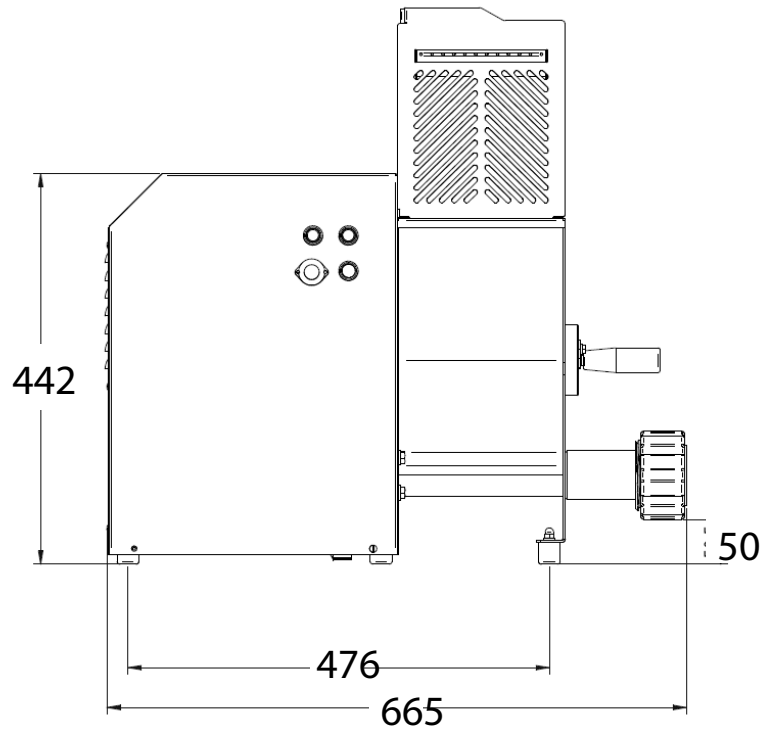
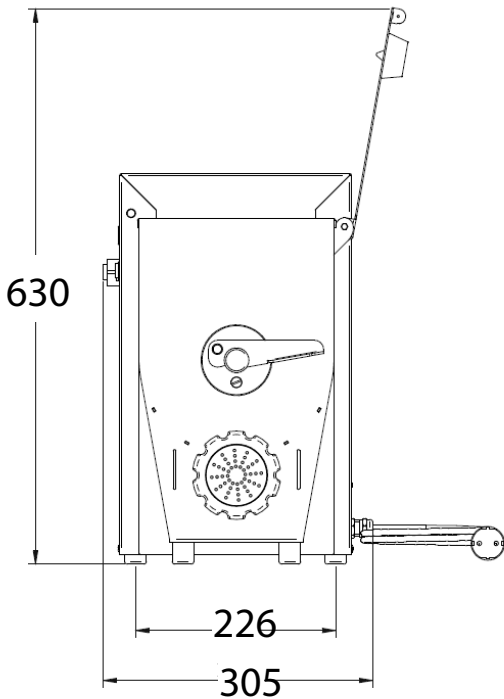
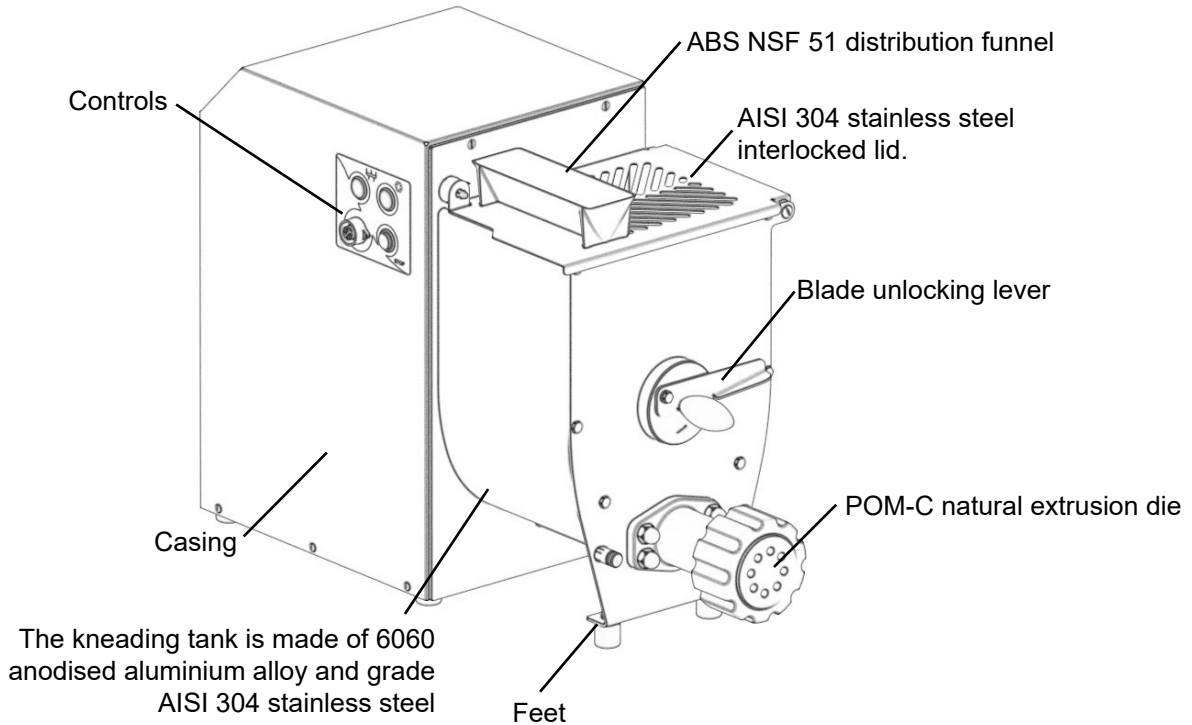
<input type="checkbox"/> Pasta Cutter SKU 40115150	<input type="checkbox"/> Pappardelle 15mm SKU 28180038	<input type="checkbox"/> Casarecce / Strozzapreti 8.8 mm SKU 28180220
<input type="checkbox"/> Adjustable Sheeter SKU 28181000	<input type="checkbox"/> Reginette 12mm SKU 28180055	<input type="checkbox"/> Fusilli 7 mm 2P SKU 28180230
<input type="checkbox"/> Spaghetti 1.1mm SKU 28180005	<input type="checkbox"/> Reginette 16mm SKU 28180056	<input type="checkbox"/> Fusilli 12.6 mm 2P SKU 28180232
<input type="checkbox"/> Spaghetti 1.5mm SKU 28180007	<input type="checkbox"/> Maccheroni lisci 5 mm SKU 28180062	<input type="checkbox"/> Fusilli 8.4 mm 3P SKU 28180240
<input type="checkbox"/> Spaghetti 1.7mm SKU 28180008	<input type="checkbox"/> Cannelloni 25 mm SKU 28180069	<input type="checkbox"/> Spirale 15.5 mm 2P SKU 28180242
<input type="checkbox"/> Spaghetti 1.9mm SKU 28180009	<input type="checkbox"/> Maccheroni rigati 4.8 mm SKU 28180075	<input type="checkbox"/> Girandole 10.5 mm 3P SKU 28180246
<input type="checkbox"/> Spaghetti 2.1mm SKU 28180010	<input type="checkbox"/> Maccheroni rigati 8 mm SKU 28180077	<input type="checkbox"/> Trottole 10.4 mm SKU 28180250
<input type="checkbox"/> Spaghetti 2.3mm SKU 28180011	<input type="checkbox"/> Maccheroni rigati 10 mm SKU 28180078	<input type="checkbox"/> Radiatori 17.5 mm SKU 28180260
<input type="checkbox"/> Bigoli / Pici Toscani 3mm SKU 28180013	<input type="checkbox"/> Maccheroni rigati 12 mm SKU 28180079	<input type="checkbox"/> Campanelle 8.3 mm SKU 28180267
<input type="checkbox"/> Bigoli / Pici Toscani 4mm SKU 28180015	<input type="checkbox"/> Maccheroni rigati 15 mm SKU 28180080	<input type="checkbox"/> Fusillone rustico SKU 28180366
<input type="checkbox"/> Linguine 3x1.6mm SKU 28180021	<input type="checkbox"/> Maccheroni rigati 20 mm SKU 28180081	<input type="checkbox"/> Strozzapreti rustici SKU 28180368
<input type="checkbox"/> Linguine 3.5x1.6mm SKU 28180021A	<input type="checkbox"/> Cannelloni rigati 25 mm SKU 28180082	<input type="checkbox"/> Nodi marini SKU 28180370
<input type="checkbox"/> Spaghetti Quadri / Chitarrine 2mm SKU 28180024	<input type="checkbox"/> Gramigne 3 mm SKU 28180091	<input type="checkbox"/> Ziti SKU 28180372
<input type="checkbox"/> Spaghetti Quadri / Chitarrine 1.8mm SKU 28180025	<input type="checkbox"/> Canestri 9.8 mm SKU 28180095	<input type="checkbox"/> Granfusilli SKU 28180380
<input type="checkbox"/> Spaghetti Quadri / Chitarrine 2.5mm SKU 28180026	<input type="checkbox"/> Creste rigate 8.6 mm SKU 28180144	<input type="checkbox"/> Sedani triangolari SKU 28180386
<input type="checkbox"/> Spaghetti Quadri / Chitarrine 3mm SKU 28180027	<input type="checkbox"/> Creste rigate 10 mm SKU 28180145	<input type="checkbox"/> Paccheri SKU 28180397
<input type="checkbox"/> Tagliolini 1.8mm SKU 28180030	<input type="checkbox"/> Gnocchetti sardi 19 mm SKU 28180191	<input type="checkbox"/> Penne rigate 7 mm SKU 28180114
<input type="checkbox"/> Tagliolini 2.5mm SKU 28180031	<input type="checkbox"/> Gnocchetti sardi 19.5 mm SKU 28180193	<input type="checkbox"/> Penne lisce 8 mm SKU 28180115
<input type="checkbox"/> Tagliolini 3.5mm SKU 28180032	<input type="checkbox"/> Celentani 7.8 mm SKU 28180200	<input type="checkbox"/> Penne rigate 8.8 mm SKU 28180116
<input type="checkbox"/> Tagliatelle 4.5mm SKU 28180033	<input type="checkbox"/> Gnocchi lisci 27 mm SKU 28180210	<input type="checkbox"/> Penne rigate 10 mm SKU 28180117
<input type="checkbox"/> Tagliatelle 6mm SKU 28180034	<input type="checkbox"/> Gnocchi rigati 27 mm SKU 28180211	<input type="checkbox"/> Custom penne Die SKU POA
<input type="checkbox"/> Tagliatelle 8mm SKU 28180035	<input type="checkbox"/> Gemelli 6.4mm SKU 28180214	<input type="checkbox"/> Penne Kit knife+spacers SKU 40115112
<input type="checkbox"/> Tagliatelle 10mm SKU 28180036	<input type="checkbox"/> Gemelli 8.8 mm SKU 28180215	<input type="checkbox"/> Custom Standard Die SKU --

We reserve the right to alter specifications without notice.

DATA SHEET

Sirman Concerto 5 Benchttop Pasta Machine
10 Litre Capacity | 4.2 kg Batch

40115052-1



We reserve the right to alter specifications without notice.