

TUC-27G-HC~FGD01

Undercounter Foodservice Refrigerator, 1 Glass Swing Door



Dimensions	
External Width (mm)	702
External Depth (mm)	766
External Height (mm)	839
Exclusions	Depth does not include 26mm for rear bumpers and 42mm for door handle.
Net Volume (Litres)	143
Gross Volume (Litres)	184
Display Area (m ²)	0.32
Supplied Shelves	2
Shelf Size (L x D mm)	One 590 x 488 + One 590 x 349
Internal Net Height (mm)	630
Unpackaged Weight (kg)	82
Packaged Weight (kg)	93
Packaged Dimensions (W x D x H mm)	769 x 839 x 1207
Supplied with	Heavy duty lock-in-place ø 64 mm castors (83 mm height) (reduced height option available, totals 810 mm)

Build	
Door Description	1 Full Glass Swing Door
Door Opening	Right (standard) or Left
Exterior Construction	Stainless steel front & countertop, aluminium sides & rear
Interior Construction	Clear coated aluminium, stainless steel base
Air Intake Position	Front
Ventilation Position	Front
Clearance Required	Zero back and sides
Cord Length (Meters)	2.13
Internal Lighting	LED
Standard w/ Locks	Standard

Technical	
Temperature Range	0.5 : 3.3°C
Refrigerant	R290
Voltage/Frequency/Phase	220-240V/50-60Hz/1
Amps	0.8
Watts	184
Temperature Class	M1
Operating Statement	Heavy Duty: This appliance is intended for use in ambient temperatures up to 40°C.
Test Standard	EN 23953
EEC	A
Energy Efficiency Index	8.3
Defrost Type	Auto
Energy Consumption (kWh/24h)	1.25
Energy Consumption (kWh/Annum)	458



Specifications subject to change without notice.
Chart dimensions rounded up to the next whole millimeter (inches rounded up to the 1/8")

UK & Ireland
EMEA
Australia

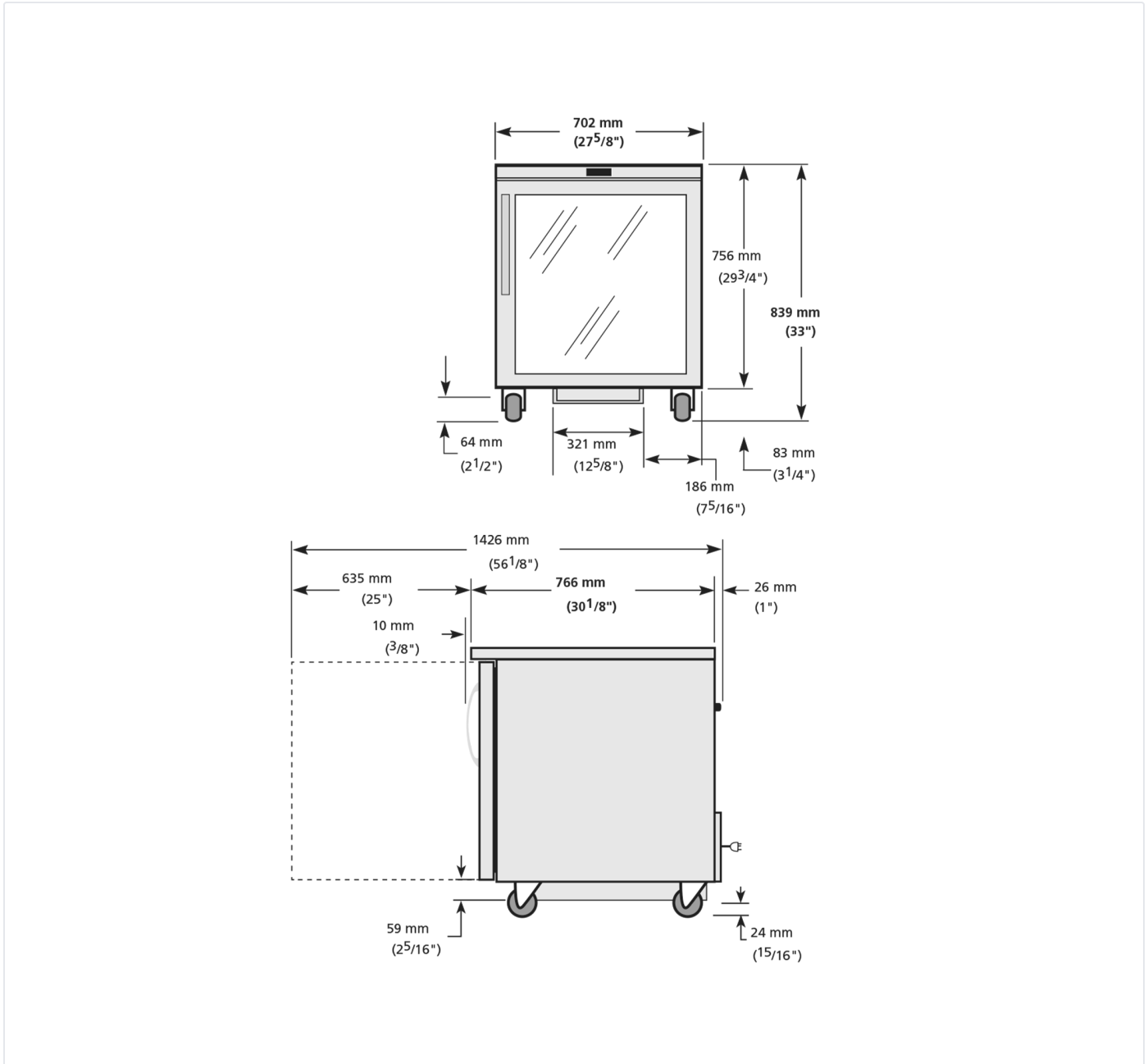
0800 783 2049
[+41 61 563 07 05](tel:+41615630705)
[+61 2 9619 9999](tel:+61296199999)

TFIUK@truemfg.com
TrueCHCustomerService@truemfg.com
TrueRefAus@truemfg.com



TUC-27G-HC~FGD01

Undercounter Foodservice Refrigerator, 1 Glass Swing Door



Specifications subject to change without notice.
Chart dimensions rounded up to the next whole millimeter (inches rounded up to the 1/8")

UK & Ireland
EMEA
Australia

0800 783 2049
[+41 61 563 07 05](tel:+41615630705)
[+61 2 9619 9999](tel:+61296199999)

TFIUK@truemfg.com
TrueCHCustomerService@truemfg.com
TrueRefAus@truemfg.com

